

FEATURE:

- Whole Solid State, Mixture Integrated
- High Speed, Low Loss, High Precision
- Field Removable SMA(F) Connector
- Operating Temperature: -55~+85°C
- Wideband, High Reliability

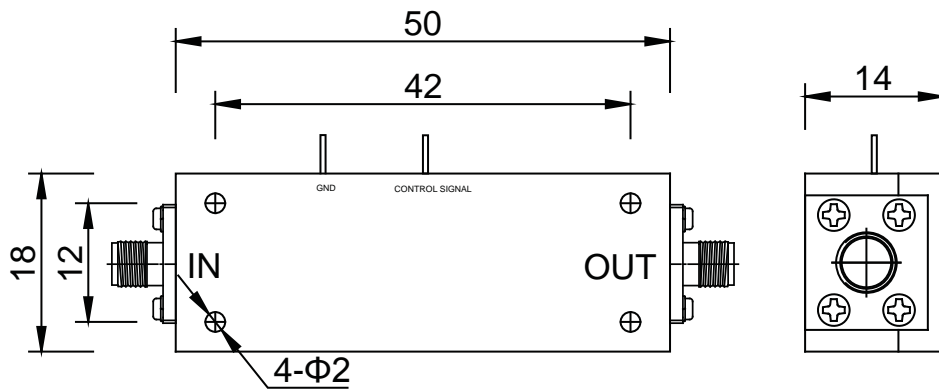


APPLICATION:

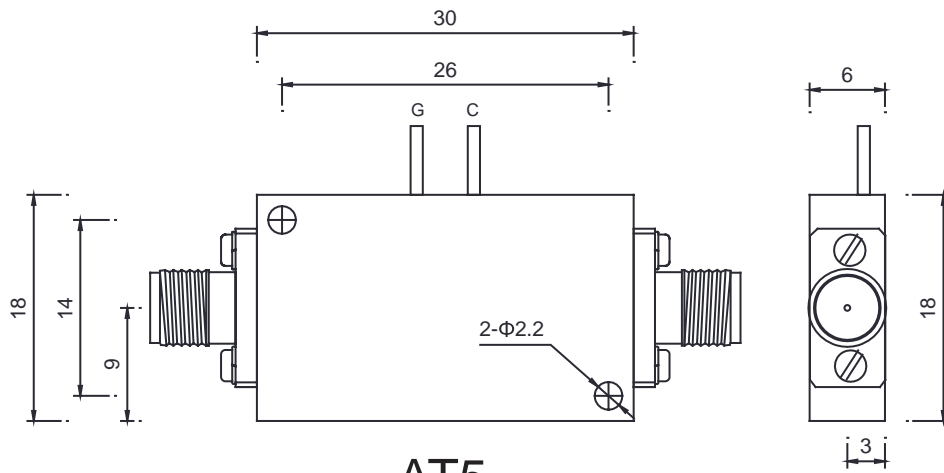
- Test Equipment
- Subsystems
- Prototypes

SPECIFICATIONS@25°C:

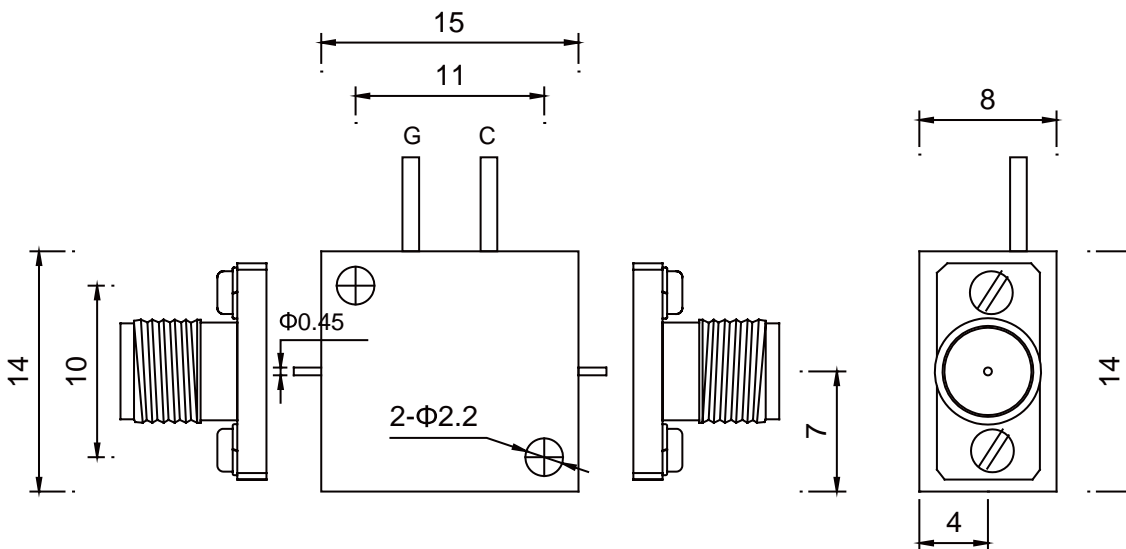
Part Number	Frequency Range (GHz)	Insertion Loss (dB)	VSWR Max	Attenuate (dB.Max)	Input power (W.Max)	Flatness (±dB)	Response time (ns.Max)	Control (mA@1V)	Case Type
MCC001005R60	0.1-0.5	0.5	1.5	60	0.5	2	1000	0-20	AT1
MCC005010F60	0.5-1	0.5	1.5	60	0.5	1.5	100	0-20	AT1
MCC005010R60	0.5-1	0.6	1.5	60	0.5	1.5	1000	0-20	AT1
MCC050020R60	0.5-2	1	1.9	60	0.5	2.5	1000	0-20	AT1
MCC010020R60	1-2	0.7	1.5	60	0.5	1.5	100	0-20	AT1
MCC010020F60	1-2	0.7	1.5	60	0.5	1.5	100	0-20	AT1
MCC010020A80	1-2	1.1	1.5	80	0.2	1	1000	0-20	AT1
MCC010180R60	1-18	2.5	2.5	60	0.5	4	1000	0-20	AT1
MCC020040R60	2-4	0.9	1.5	60	0.5	1.5	1000	0-20	AT1
MCC020040F60	2-4	1	1.5	60	0.5	1.5	100	0-20	AT1
MCC020040A80	2-4	1.7	1.5	80	0.2	1	1000	0-20	AT1
MCC020080R60	2-8	1.3	2.1	60	0.5	2.5	1000	0-20	AT1
MCC020180R60	2-18	2.3	2.2	60	0.5	4	1000	0-20	AT1
MCC020180F60	2-18	2.5	1.9	60	0.5	4	100	0-20	AT1
MCC040080R60	4-8	1.1	1.6	60	0.5	1.5	1000	0-20	AT1
MCC040080F60	4-8	1.3	1.6	60	0.5	1.5	100	0-20	AT1
MCC040080A80	4-8	1.9	1.7	80	0.2	1.5	1000	0-20	AT1
MCC080120F60	8-12	1.9	1.7	60	0.5	1.5	100	0-20	AT1
MCC080120R60	8-12	1.9	1.7	60	0.5	1.5	1000	0-20	AT1
MCC080120A80	8-12	2.3	1.7	80	0.2	1.5	1000	0-20	AT1
MCC080180R60	8-18	2.2	2	60	0.5	6.5	/	0-20	AT5
MCC094098R30	9.4-9.8	2	2	30	0.2	/	/	0-20	AT6
MCC120180R60	12-18	2.2	1.9	60	0.5	1.5	1000	0-20	AT1
MCC120180F60	12-18	2.2	1.9	60	0.5	1.5	100	0-20	AT1
MCC120180A80	12-18	2.3	1.7	80	0.2	1.5	1000	0-20	AT1
MCC180265R50	18-26.5	3.2	2.2	50	0.2	/	/	0-5	AT7



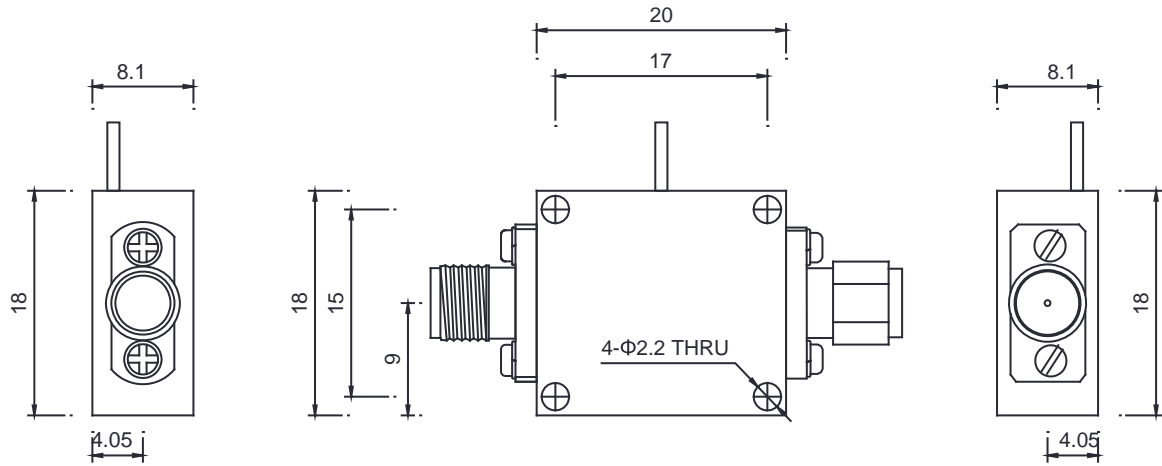
AT1



AT5



AT6



AT7